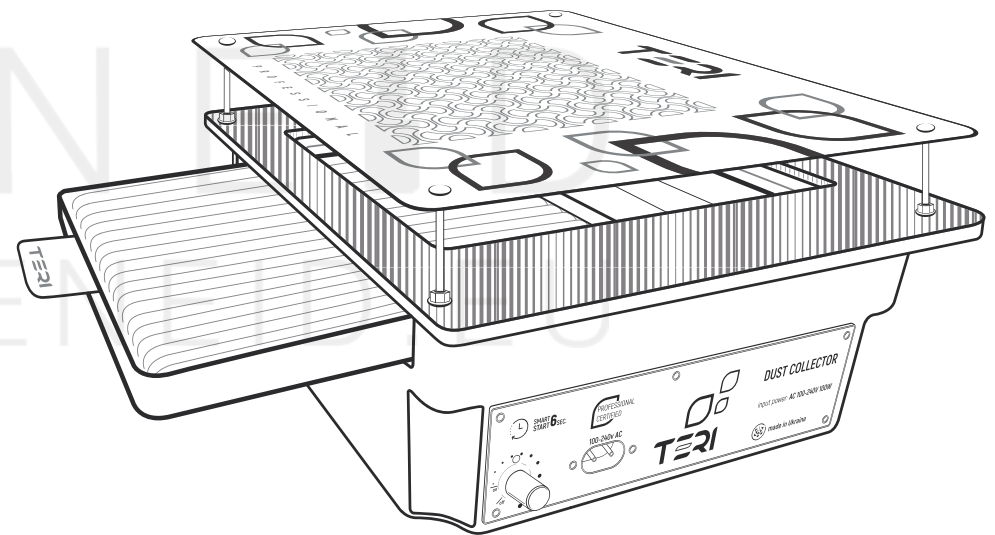




MEREN
WWW.MEREN

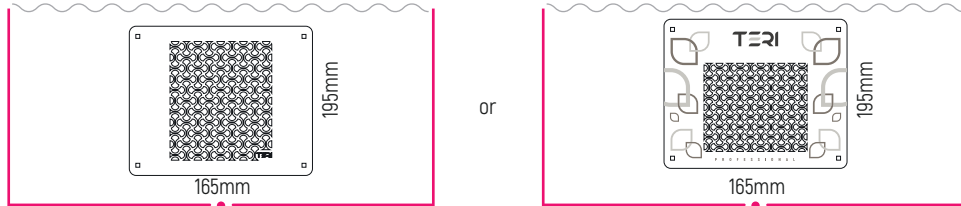


BUILT-IN MANICURE DUST COLLECTOR

HEPA filter

Dear customer, the Teri™ team is grateful to you for trusting our brand and choosing our product. We hope that Teri™ dust collectors will only bring you positive emotions and keep you healthy for years to come. This is the main mission of our company.

Installation of manicure dust collector



1. Cut a 165x195mm hole in the table, according to the diagram. We recommend placing the hole in front of the manicure master, depending on the model of the table and the number and sizes of cabinets.
2. It is desirable to cover the edges of the hole so that the ends of the chipboard are not visible.
3. Attach the top mesh to the table by centering the hole. Mark the spots for mounting bolts with a pencil. Remove the top mesh and drill four holes (5mm) through.
4. Put the top mesh on the holes above and the dust collector below. Insert the supplied mounting bolts into the holes. Secure the dust collector with the screw-nuts from below. The dust collector must be fitted with a filter facing the master, and the rotation regulator to the right of the master.

Congratulations! The dust collector is ready to use!

Operation and maintenance of manicure dust collector

When the dust collector is securely attached to the table, it can be used to protect the health of the master and others from dangerous dust.

Unpack the power cord that comes with the dust collector and connect it to the dust collector, then plug it into a wall outlet with 110 to 240 volts.

Release the filter from polyethylene. Make sure there are no foreign objects or documents in place of the filter installation. Insert the filter all the way in with the TERI logo facing up.

Warning! It is forbidden to switch on the dust collector without a filter! It is also forbidden to turn the filter over during operation! Turning the filter over may cause the malfunction of internal mechanisms, as well as blow the dust out of the filter spraying it around.

To turn on the dust collector, turn the switch to the ON position.

The Turbo model has a self-assessment microprocessor, so the turbine will start rotating only after a 6 second delay.

You can adjust the rotation speed by turning the knob in both directions.

To turn off the dust collector, turn the switch to the OFF position.

Filter maintenance and replacement

HEPA (High Efficiency Particulate Air or High Efficiency Particulate Arrestance) is a type of high efficiency air filter. The filter safely catches even the smallest, most dangerous, dust. All Teri™ filters are made from high quality filter fabric.

To clean the filter, simply pull it out, shake the dust into a wet sink, and rinse. The filter can be treated with disinfectant solution and washed, but be sure to thoroughly dry it before use. Do not heat the filter above 90 degrees Celsius. We recommend cleaning the filter after each customer. When filter efficiency is lowered, the filter must be replaced. It is recommended to replace filters once a month.

Filters can be purchased from your Teri dealer.

Warranty card for Teri™ dust collector

This coupon confirms the buyer's right to exchange or repair the product with the specified serial number free of charge for a period of 12 months from the date of sale, in the event of failure. The warranty is void in case of improper use.

Improper use of the device is considered by:

1. Exposing the device to any liquid;
2. Physical damage of the device during operation, foreign objects inside the turbine;
3. Excessive contamination of the device during operation, which may cause the motor to be blocked or overheat;
4. Exceeding acceptable power supply parameters: 110-240 volts;
5. Involvement of third parties in the design or internal scheme of the device.

In the event of improper use of the device, Teri™ reserves the right to repair the device for additional charge agreed with the buyer.

If you did not like our product, you can return it within 14 days of receiving and get its value minus the filter price

With any questions regarding the operation or repair or replacement of the Teri™ dust collectors contact your local Teri dealer or in viber / telegram +38 099 32 111 92, Monday to Friday, from 10am to 5pm.

If the device fails after 14 days or more from the date of purchase, shipment of the device for repair or exchange is carried out at the expense of the buyer.

Date of sale:

Serial number: